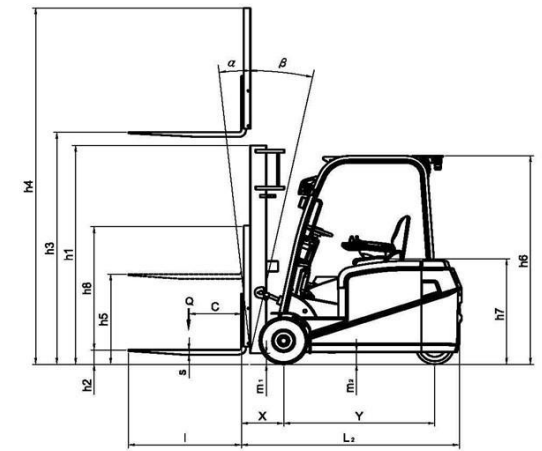
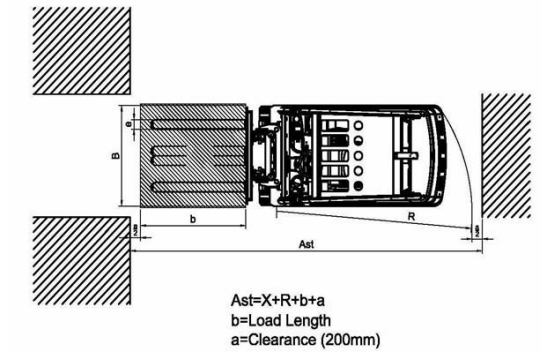


CHARACTERISTICS	1	Manufacturer			ALTADO Forklift	ALTADO Forklift	ALTADO Forklift	ALTADO Forklift	ALTADO Forklift	ALTADO Forklift	ALTADO Forklift	ALTADO Forklift	ALTADO Forklift	
	2	Series			Z	Z	Z	Z	Z	Z	Z	Z	Z	Z
	3	Model			AETZ18	AETZ20	AEZ15	AEZ18	AEZ20	AEZ25	AEZ25	AEZ30	AEZ35	
	4	Capacity	Q	Load	kg	1800	2000	1500	1800	2000	2500	2500	3000	3500
	5	Load center	C	Distance	mm	500	500	500	500	500	500	500	500	500
	6	System				AC	AC	AC	AC	AC	AC	AC	AC	AC
	7	Power type		Electric, Diesel, Gasoline, LPG		Electric	Electric	Electric	Electric	Electric	Electric	Electric	Electric	Electric
	8	Operation type		Pedestrian, Stand, Sit		Sit	Sit	Sit	Sit	Sit	Sit	Sit	Sit	Sit
DIMENSIONS	9	Lift at 2-stage mast	h3	Lift (maxi. Fork height)	mm	3000	3000	3000	3000	3000	3000	3000	3000	3000
	10		h2	Standard free lift	mm	0	0	0	0	0	0	0	0	0
	11		h5	Optional free lift	mm	1490	1490	1490	1490	1490	1490	1490	1490	1490
	12	Mast tilting angle		Forward(α) / Back(β)	deg	6/8	6/8	6/12	6/12	6/8	6/8	6/8	6/8	6/8
	13	Overall Dimentions	L2	Length to face of forks	mm	2030	2030	2045	2045	2292	2292	2292	2417	2417
	14		B	Total width	mm	1090	1090	1080	1080	1200	1200	1200	1260	1260
	15		h6	Overhead guard height	mm	2090	2090	2145	2145	2146	2146	2146	2146	2146
	16		h1	Mast height lowered	mm	1980	1980	1990	1990	1995	1995	1995	1995	1995
	17		h4	Mast height extened	mm	3610	3610	3640	3640	3625	3625	3625	3620	3620
	18		h4	Mast height extened	mm	4225	4225	4225	4225	4220	4220	4220	4210	4210
	18		h7	Seat Height	mm	995	995	1130	1130	1145	1145	1145	1145	1145
	19	Load bracket	h8	Height of load bracket	mm	1225	1225	1225	1225	1220	1220	1210	1210	
	20	Fork size		Thickness(s) \times Width(e) \times Length(l)	mm	35x100x1070	35x100x1070	35x100x1070	35x100x1070	40x122x1070	40x122x1070	40x122x1070	45x122x1070	50x122x1070
	21	Turning radius	R		mm	1590	1590	1840	1840	2030	2030	2140	2140	
	22	Load distance	X	From center of front axle	mm	370	370	400	400	500	500	515	515	
	23	Aisle width	Ast	For load 800 \times 1200 / 1000 \times 1200	mm	2960/3160	2960/3160	3240/3440	3240/3440	3530/3730	3530/3730	3530/3730	3655/3855	3655/3855
	24	Ground clearance	m1	at lowest point	mm	100	100	110	110	115	115	115	115	115
25	m2		center of wheelbase	mm	108	108	110	110	115	115	115	115	115	
PERFORMANCE	26	Travel speed		with load/ without load	km/h	13.5/14	13/14	14/14.5	13.5/14	12.5/14	12/14	12/14	14/15	13.5/14.5
	27	Lifting speed		with load/ without load	mm/s	320/470	320/470	320/470	300/470	310/550	290/500	290/500	290/500	280/500
	28	Lowering speed		with load/ without load	mm/s	470/550	470/550	470/550	470/550	480/500	480/540	480/540	420/450	420/450
	29	Drawbar pull		MAX.	N	13000	12500	13000	12260	16400	14100	14100	12100	12100
	30	Gradeability		with load/ without load	%	26/23	24/21	18/22.5	17/22	17/23	16/22	16/22	16/19	15/18
	31	Service brake		operation/ control		Foot / Hydraulic	Foot / Hydraulic	Foot / Hydraulic	Foot / Hydraulic	Foot / Hydraulic	Foot / Hydraulic	Foot / Hydraulic	Foot / Hydraulic	Foot / Hydraulic
	32	Parking brake		operation/ control		Hand / Mechanic	Hand / Mechanic	Hand / Mechanic	Hand / Mechanic	Hand / Mechanic	Hand / Mechanic	Hand / Mechanic	Hand / Mechanic	Hand / Mechanic
	33	Service weight		included min. weight battery (see item 45)	kg	3110	3260	3245	3400	3920	4270	4630	5490	5600
	34	Axle loading		with load (front / rear)	kg	4510/400	4760/500	4288/487	4665/535	5270/650	5990/780	6310/820	7930/720	8300/800
	35			without load (front / rear)	kg	1406/1704	1475/1785	1700/1545	1780/1620	2115/1805	1980/2290	2150/2480	2710/2780	2760/2840
TIRES	36	Tire type		S=Solide, P=Pneumatic	front/rear	Solid	Solid	Pneumatic	Pneumatic	Pneumatic	Pneumatic	Pneumatic	Pneumatic	
	37	Wheels (X:driven)		Number	front/rear	2x/2	2x/2	2x/2	2x/2	2X/2	2X/2	2X/2	2X/2	
	38	Tire size		front		18x7-8	18x7-8	21x8x9-14PR	21x8x9-14PR	23x9-10-16PR	23x9-10-16PR	23x9-10-16PR	23x9-10-20PR	
	39			rear		15x4 1/2-8	15x4 1/2-8	5-8-8P.R.	5-8-8P.R.	18x7-8	18x7-8	18x7-8	18x7-8	
	40	Wheelbase	Y		mm	1430	1430	1350	1350	1486	1486	1486	1566	
41	Tread		Center of tires front / rear	mm	920/190	920/190	910/895	910/895	975/900	975/990	975/990	1035/990	1035/990	
DRIVE	42	Battery		Battery Voltage	V	48	48	48	48	48	80	80	80	
	43			min. capacity	AH/5HR	505	505	460	460	560	560	560	560	
	44			max. capacity		660	660	600	600	700	700	600	600	
	45			Battery box size LxWxH	mm	965x610x620	965x610x620	L975*W465*H750	L975*W465*H750	L1126*W610*H760	L1126*W610*H760	L1126*W610*H760	L1126*W610*H760	
	46		Weight , min. (see item 42)	kg	760	760	740	740	1095	1100	1480	1480		
	47	Motor		Drive motor	kw	4.8x2	4.8x2	7	7	7	7	12	12	
	48			Pump motor	kw	12	12	12	12	12	12	16	16	



★ This is only for your reference and not subject to notice in advance if there is any modification.

